

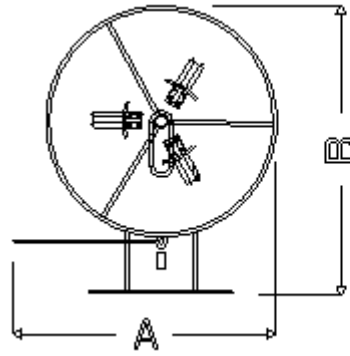


Kardeşler Makina A.Ş.

Address : Rami Yolu Kışla Cad. Başaran San. Sit.
No:111/116 Topçular / ISTANBUL
Phone : +90(212) 544 3733 - 612 6216 - 565 7926
Fax : +90(212) 501 7023
e-mail : info@kardeslermakina.com.tr
Url : www.kardeslermakina.com.tr

📄 DRA - 300

📄 DRAWING



MODEL	DRA-300
A	1090
B	1200

📄 PRODUCT PROPERTIES

▶Max Roll Weigth	300 Kg
▶Max Roll Width	200mm
▶Max Roll External Diameter	1000mm
▶Min / Max Roll Internal Diameter	300-550mm
▶Min / Max Band Thickness	0,1 - 1,5mm
▶Roll Handling System	Internal compressed pulley
▶Arm Turn-On / Turn Off System	Mechanic
▶Drive Type	AC Engine Redactor
▶Engine	0,25 Kw
▶Power Source	380V
▶Max Discharge Velocity	40mt/dk