

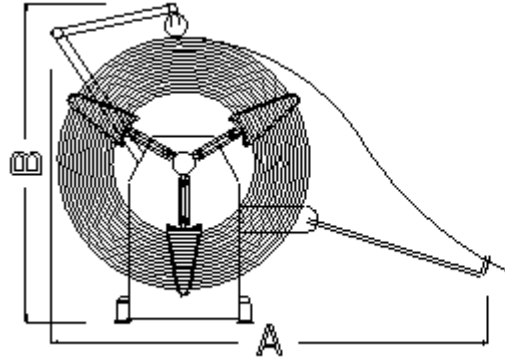


## Kardeşler Makina A.Ş.

Address :Rami Yolu Kışla Cad. Başaran San. Sit.  
No:111/116 Topçular / ISTANBUL  
Phone : +90(212) 544 3733 - 612 6216 - 565 7926  
Fax : +90(212) 501 7023  
e-mail : [info@kardeslermakina.com.tr](mailto:info@kardeslermakina.com.tr)  
Url : [www.kardeslermakina.com.tr](http://www.kardeslermakina.com.tr)

### ☑ DRA - 3000

### ☑ DRAWING



MODEL	DRA-3000
A ☐➤	2250
B ☐➤	1650

### ☑ PRODUCT PROPERTIES

▶Max Roll Weigth	3000 Kg
▶Max Roll Width	500mm
▶Max Roll External Diameter	1100mm
▶Min/Max Roll internal Diameter	400-600mm
▶Min/Max Band Thickness	0,2 - 3mm
▶Roll Handling System	Internal compressed pulley
▶Arm Turn-On/Turn Off System	Mechanic
▶Drive Type	AC engine redactor
▶DC Velocity Control Panel	220V
▶Max Discharge Velocity	40mt/dk-min