

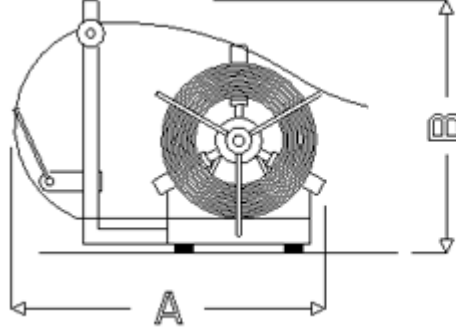


Kardeşler Makina A.Ş.

Address : Rami Yolu Kışla Cad. Başaran San. Sit.
No:111/116 Topçular / İSTANBUL
Phone : +90(212) 544 3733 - 612 6216 - 565 7926
Fax : +90(212) 501 7023
e-mail : info@kardeslermakina.com.tr
Url : www.kardeslermakina.com.tr

☑ DRA - 500

☑ DRAWING



MODEL	DRA-800
A ⇨	1500
B ⇨	1400

☑ PRODUCT PROPERTIES

▶Max Roll Weigth	500 Kg
▶Max Roll Width	250mm
▶Max Roll External Diameter	1200mm
▶Min/Max Roll internal Diameter	300-600mm
▶Min/Max Band Thickness	0,1 - 1,5mm
▶Roll Handling System	Internal compressed pulley
▶Arm Turn-On/Turn Off System	Automatic
▶Drive Type	AC engine redactor
▶DC Velocity Control Panel	220V
▶Max Discharge Velocity	40mt/dk-min