

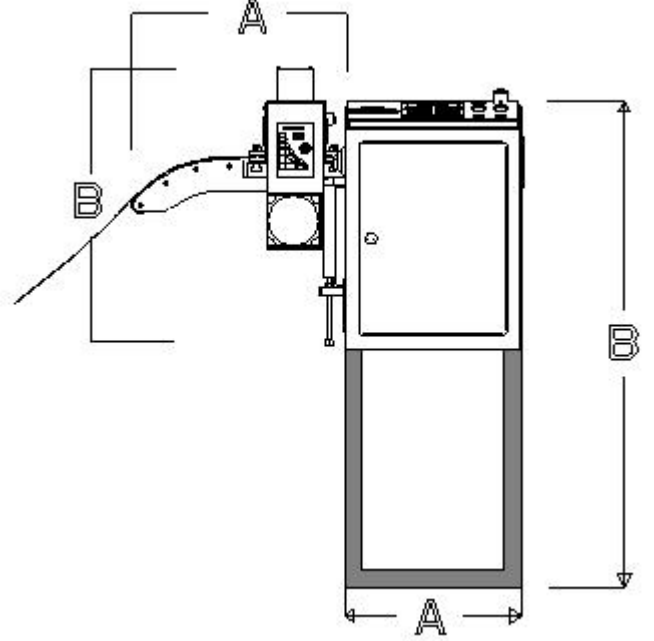


Kardeşler Makina A.Ş.

Address : Rami Yolu Kışla Cad. Başaran San. Sit.
No:111/116 Topçular / ISTANBUL
Phone : +90(212) 544 3733 - 612 6216 - 565 7926
Fax : +90(212) 501 7023
e-mail : info@kardeslermakina.com.tr
Url : www.kardeslermakina.com.tr

ECF-01-100

DRAWING



PRODUCT PROPERTIES

▶Electronic control system	Rexroth BOSCH / Sew EURODRIVE
▶Max Band Width	100mm
▶Min / Max Band Thickness	0,2 -1,5mm
▶Max Band Thickness	1,20mm
▶Material Cutting	max 100 x 1,20mm
▶Maximum Band Tape Cutting Area	120mm ²
▶Drawing Roller Diameters	60mm
▶Max (dv/min) Speed	150
▶Square Movement	80mm
▶Power Source	380V