

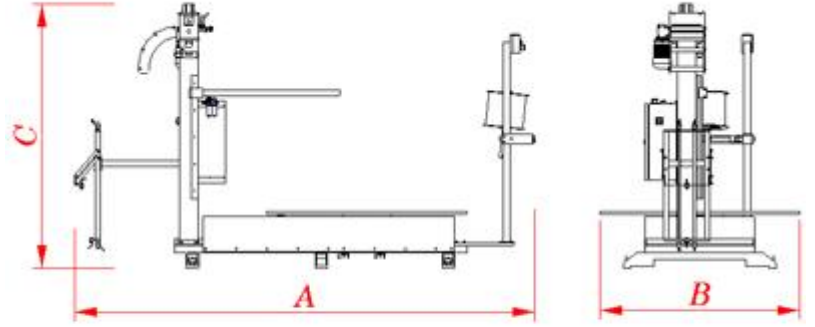


## Kardeşler Makina A.Ş.

Address : Rami Yolu Kışla Cad. Başaran San. Sit.  
No: 111/116 Topçular / ISTANBUL  
Phone : +90(212) 544 3733 - 612 6216 - 565 7926  
Fax : +90(212) 501 7023  
e-mail : [info@kardeslermakina.com.tr](mailto:info@kardeslermakina.com.tr)  
Url : [www.kardeslermakina.com.tr](http://www.kardeslermakina.com.tr)

### YRA - 1000C

### DRAWING



MODEL	A	B	C
YRA-1000 C	2800	1100	1700

### PRODUCT PROPERTIES

#### YRA - 1000C With Puller

▶Max Roll Weight	1000 Kg
▶Max Roll Width	150mm
▶Max Roll External Diameter	1200mm
▶Min/ Max Band Thickness	0,1-1,4 mm
▶Drive Motor with speed control	0,75 Kw
▶Drive Type	Transmission Redactor
▶Pulling Drive	0,25 Kw
▶Max. Uncoiling speed	18 mt/min
▶Pulling Roller	100 mm
▶Pulling Upper Pressing Roller	50 mm